



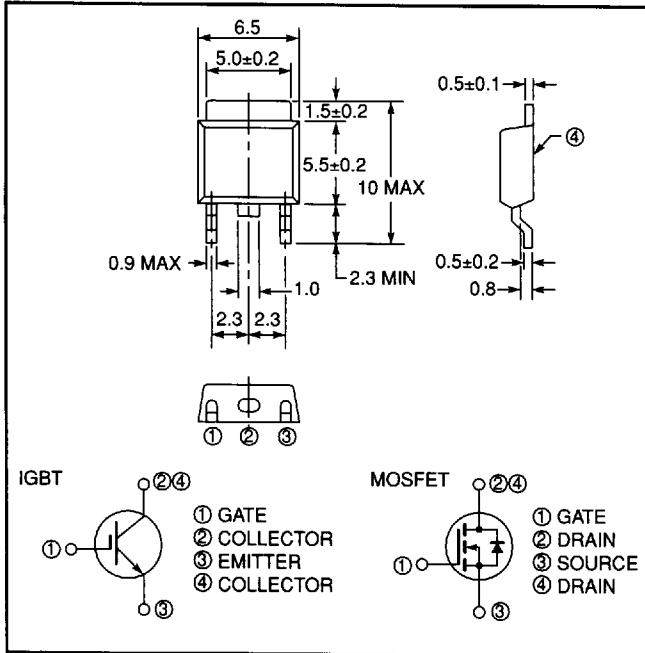
**Discrete MOSFET - Low Voltage Trench Gate**  
**2.5V Driver Voltage p-channel MOSFETs**

Device Number	Maximum Ratings, T <sub>c</sub> = 25°C			Electrical Characteristics					
	V <sub>DSS</sub> (V)	I <sub>D</sub> (A)	V <sub>GSS</sub> (V)	r <sub>DS(on)</sub> (mΩ)		V <sub>GS(th)</sub> (V)	C <sub>ISS</sub> (pF)	Package	
				Typ.	Max.			Outline	Page
FX6ASH-03	-30	-6	±10	250	320	-1.2	825	MP-3	31
FX6KMH-03	-30	-6	±10	250	320	-1.2	825	TO-220FN	31
FX6UMH-03	-30	-6	±10	250	320	-1.2	825	TO-220	31
FX6VSH-03	-30	-6	±10	250	320	-1.2	825	TO-220S	31
FX20ASH-03	-30	-20	±10	110	140	-1.2	1610	MP-3	31
FX20KMH-03	-30	-20	±10	110	140	-1.2	1610	TO-220FN	31
FX20UMH-03	-30	-20	±10	110	140	-1.2	1610	TO-220	31
FX20VSH-03	-30	-20	±10	110	140	-1.2	1610	TO-220S	31
FX20SMH-03	-30	-20	±10	110	140	-1.2	1610	TO-3P	32
FX30ASH-03	-30	-30	±10	52	68	-1.2	3330	MP-3	31
FX30KMH-03	-30	-30	±10	52	68	-1.2	3330	TO-220FN	31
FX30UMH-03	-30	-30	±10	52	68	-1.2	3330	TO-220	31
FX30VSH-03	-30	-30	±10	52	68	-1.2	3330	TO-220S	31
FX30SMH-03	-30	-30	±10	52	68	-1.2	3330	TO-3P	32
FX50KMH-03	-30	-50	±10	30	39	-1.2	5175	TO-220FN	31
FX50UMH-03	-30	-50	±10	30	39	-1.2	5175	TO-220	31
FX50VSH-03	-30	-50	±10	30	39	-1.2	5175	TO-220S	31
FX50SMH-03	-30	-50	±10	30	39	-1.2	5175	TO-3P	32
FX70KMH-03	-30	-70	±10	10	14	-1.2	16980	TO-220FN	31
FX70UMH-03	-30	-70	±10	10	14	-1.2	16980	TO-220	31
FX70VSH-03	-30	-70	±10	10	14	-1.2	16980	TO-220S	31
FX70SMH-03	-30	-70	±10	10	14	-1.2	16980	TO-3P	32
FX3ASH-06	-60	-3	±10	400	520	-1.2	790	MP-3	31
FX3KMH-06	-60	-3	±10	400	520	-1.2	790	TO-220FN	31
FX3UMH-06	-60	-3	±10	400	520	-1.2	790	TO-220	31
FX3VSH-06	-60	-3	±10	400	520	-1.2	790	TO-220S	31
FX6ASH-06	-60	-6	±10	180	230	-1.2	1560	MP-3	31
FX6KMH-06	-60	-6	±10	180	230	-1.2	1560	TO-220FN	31
FX6UMH-06	-60	-6	±10	180	230	-1.2	1560	TO-220	31
FX6VSH-06	-60	-6	±10	180	230	-1.2	1560	TO-220S	31
FX6SMH-06	-60	-6	±10	180	230	-1.2	1560	TO-3P	32
FX20ASH-06	-60	-20	±10	85	110	-1.2	3815	MP-3	31
FX20KMH-06	-60	-20	±10	85	110	-1.2	3815	TO-220FN	31
FX20UMH-06	-60	-20	±10	85	110	-1.2	3815	TO-220	31
FX20VSH-06	-60	-20	±10	85	110	-1.2	3815	TO-220S	31
FX20SMH-06	-60	-20	±10	85	110	-1.2	3815	TO-3P	32
FX30KMH-06	-60	-30	±10	46	60	-1.2	6965	TO-220FN	31
FX30UMH-06	-60	-30	±10	46	60	-1.2	6965	TO-220	31
FX30VSH-06	-60	-30	±10	46	60	-1.2	6965	TO-220S	31
FX30SMH-06	-60	-30	±10	46	60	-1.2	6965	TO-3P	32
FX50KMH-06	-60	-50	±10	16	21	-1.2	16215	TO-220FN	31
FX50UMH-06	-60	-50	±10	16	21	-1.2	16215	TO-220	31
FX50VSH-06	-60	-50	±10	16	21	-1.2	16215	TO-220S	31
FX50SMH-06	-60	-50	±10	16	21	-1.2	16215	TO-3P	32

r<sub>DS(on)</sub> (mΩ) - shows maximum value of on-resistance at V<sub>GS</sub> = 4V

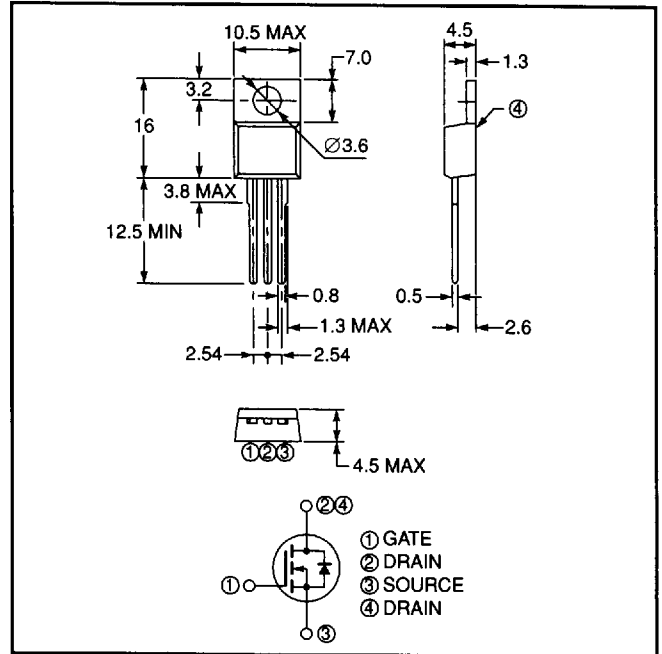
## Device Outline Drawings

### MP-3



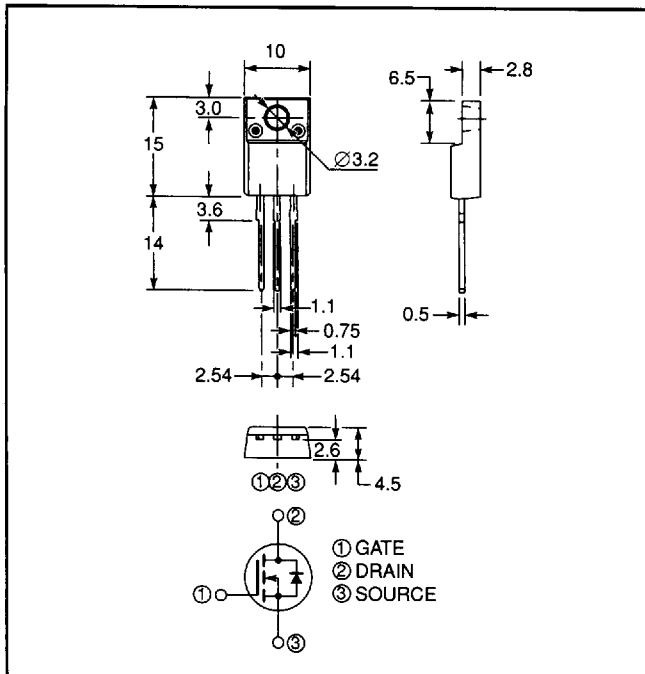
IGBT CT\*\*AS-8  
 MOSFET FS\*\*AS-8

### TO-220



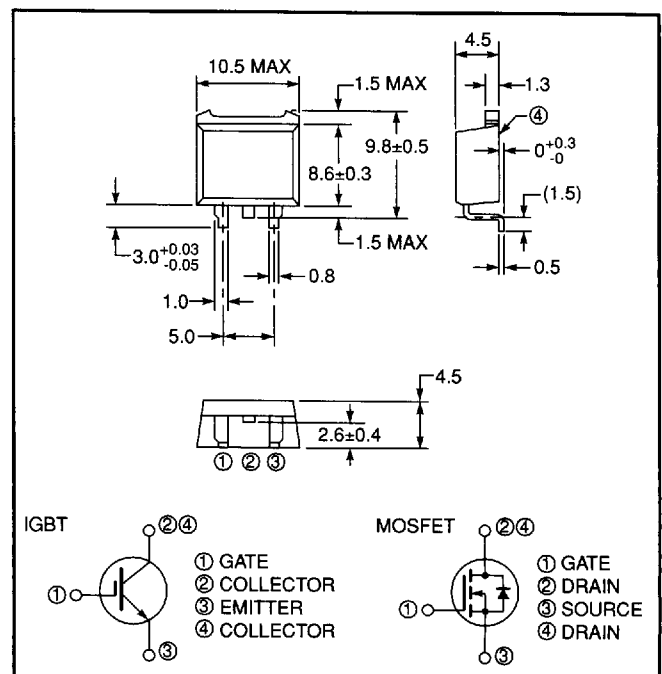
MOSFET FK\*\*UM-\*\*, FS\*\*UM-\*\*

### TO-220FN



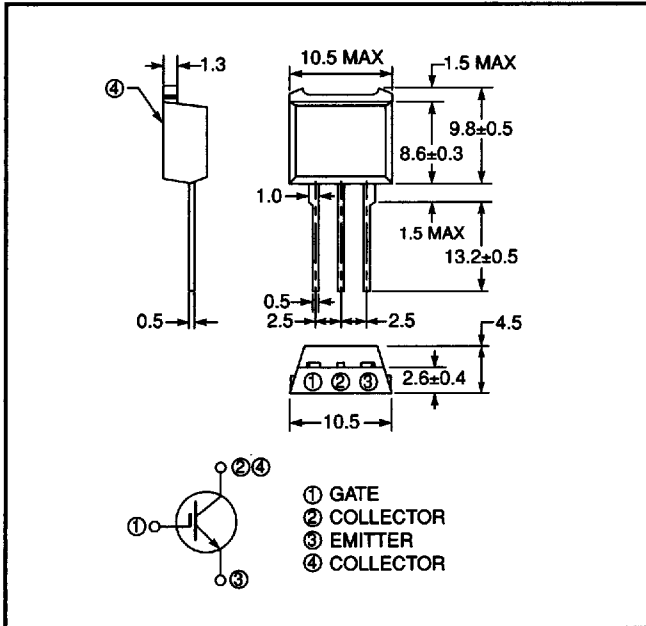
MOSFET FK\*\*KM-\*\*, FS\*\*KM-\*\*

### TO-220S



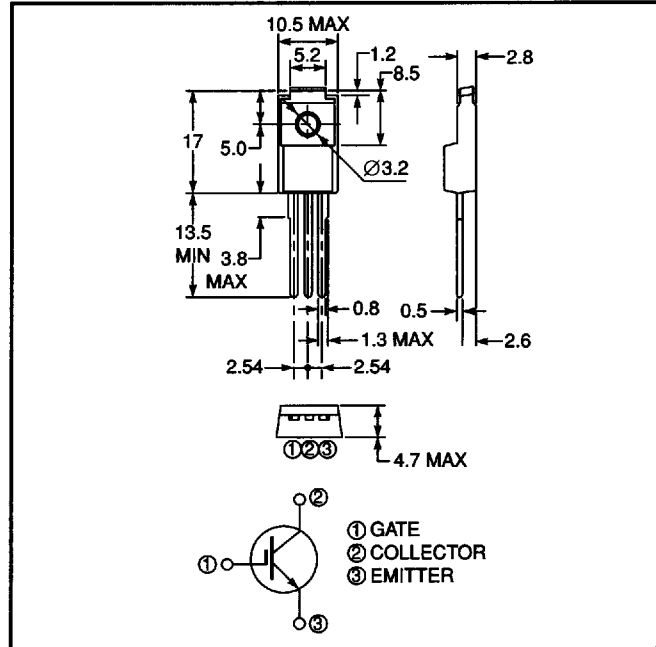
IGBT CT\*\*VS-8  
 MOSFET FK\*\*VS-\*\*, FS\*\*VS-\*\*

### TO-220C



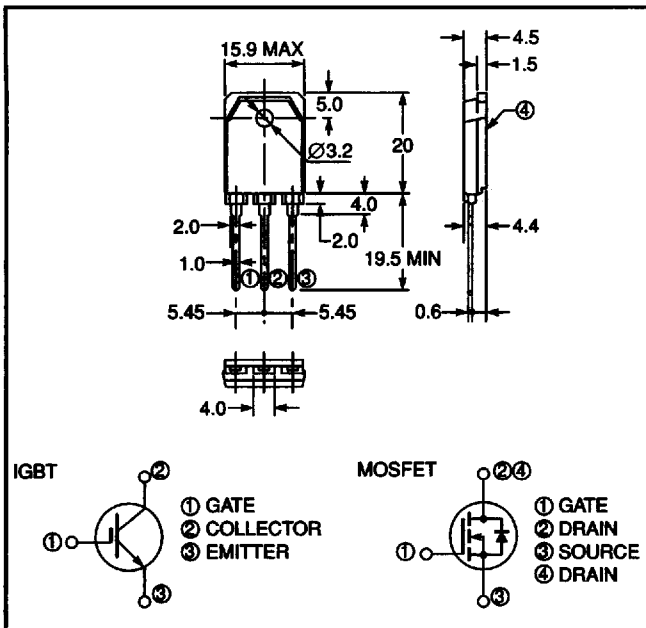
IGBT CT\*\*VM-8

### TO-220F



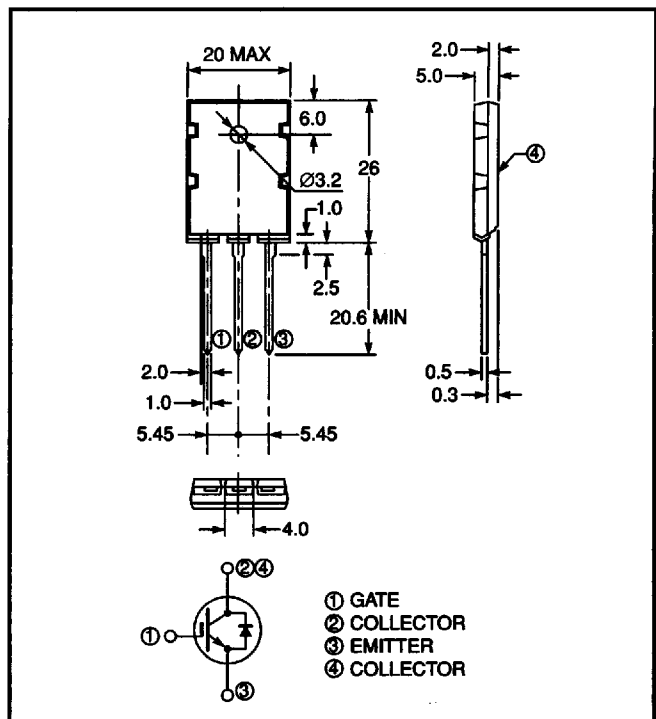
IGBT CT\*\*TM-\*\*

### TO-3P



IGBT CT\*\*SM-8  
 MOSFET FK\*\*SM-\*\*, FS\*\*SM-\*\*

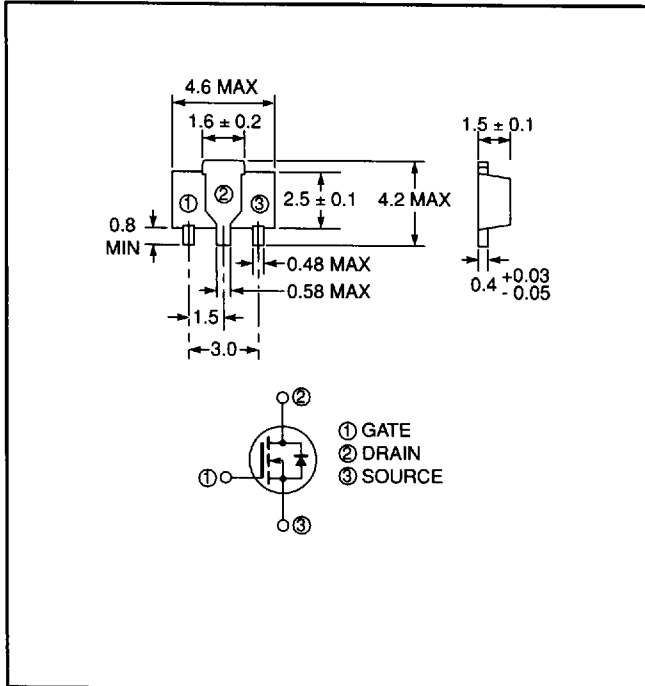
### TO-3PL



IGBT CT\*\*AM-\*\*

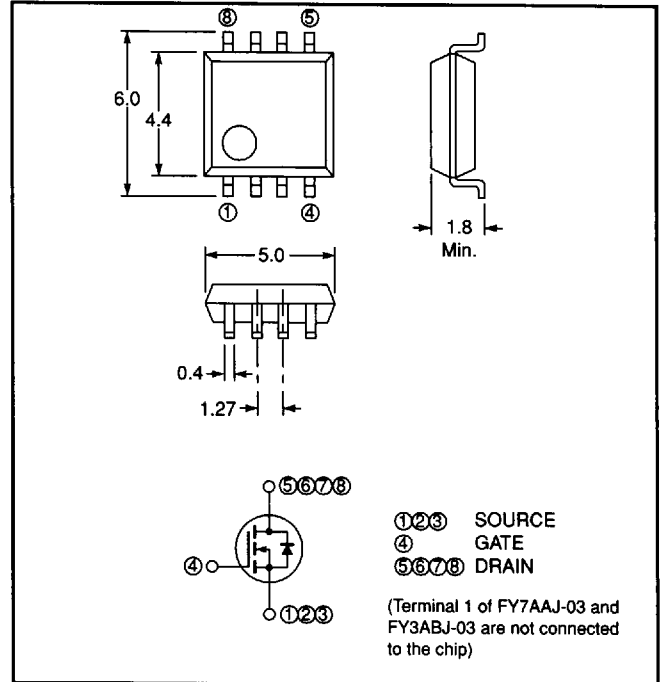
## Device Outline Drawings

### SOT-89



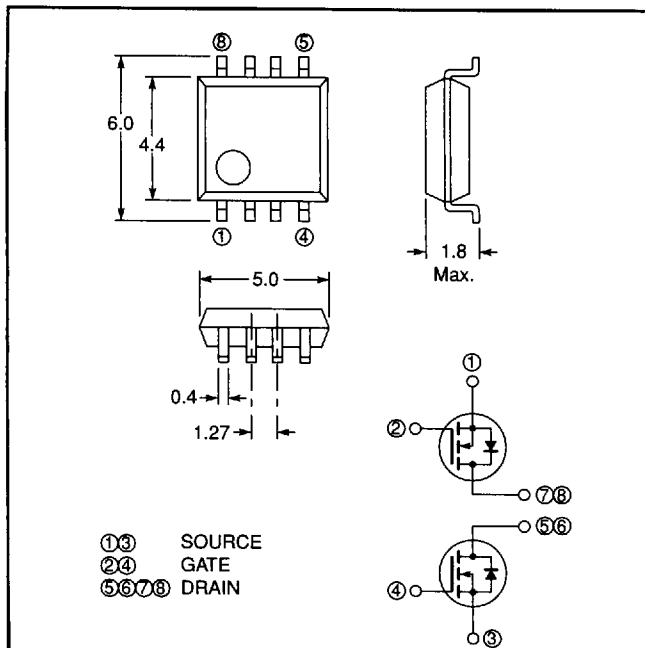
MOSFET FS\*\*, FX\*\*

### SOP-8 (Single)



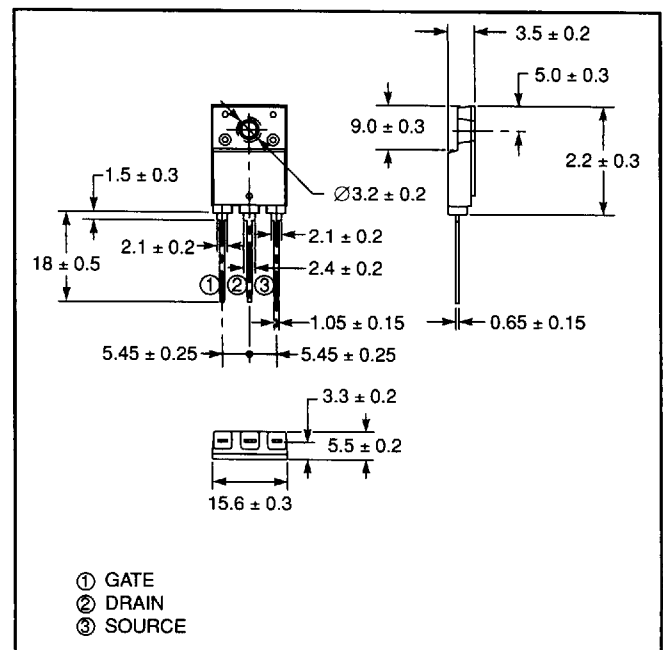
MOSFET FY\*\*

### SOP-8 (Dual)



MOSFET FY\*\*

### TO-3PF



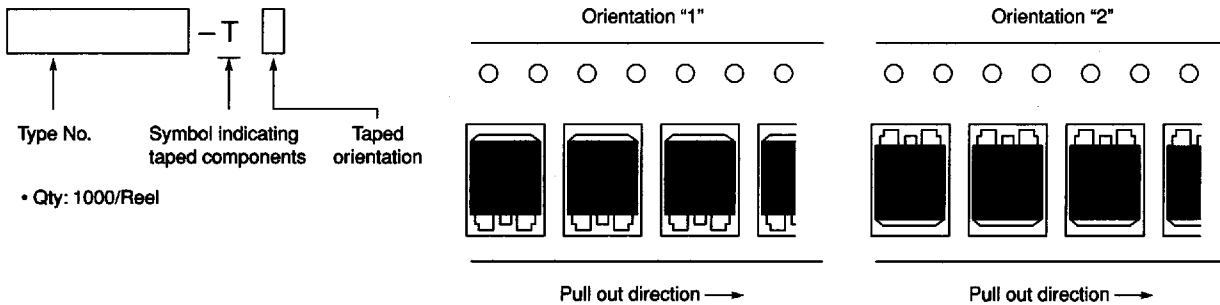
MOSFET FS\*\*RM-\*\*

### MOSFET Packing Quantities and Types

Package	Outline Code	Packing	Minimum Quantity per Package
TO-220	UM	Bag	100
TO-220FN	KM	Tube	50
TO-220S	VS	Bag	100
TO-220S	VS	Reel	1000
TO-3P	SM	Bag	20
MP-3	AS	Bag	500
MP-3	AS	Reel	3000
SOP-8	FY	Reel	3000

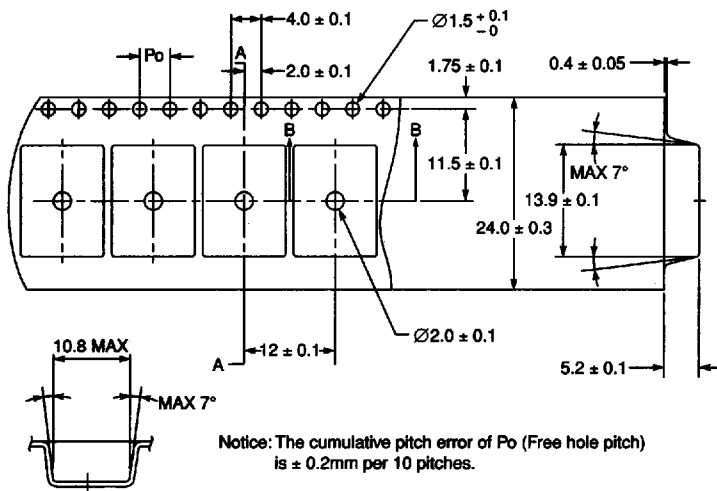
### TO-220S Taping

#### (a) Marking

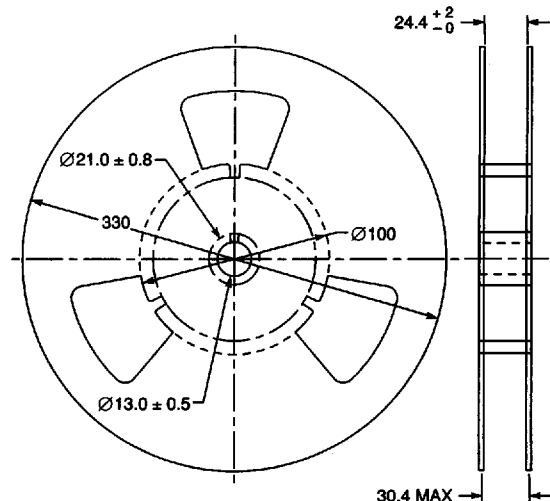


#### (b) Taping

##### • Tape Shape and Dimensions

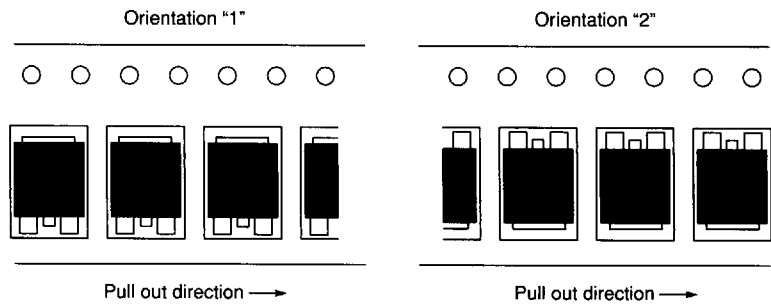
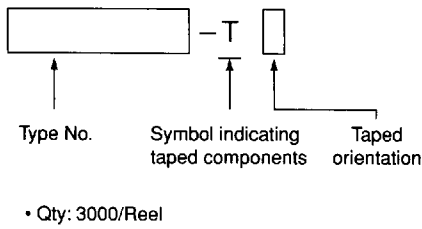


##### • Reel Shape and Dimensions



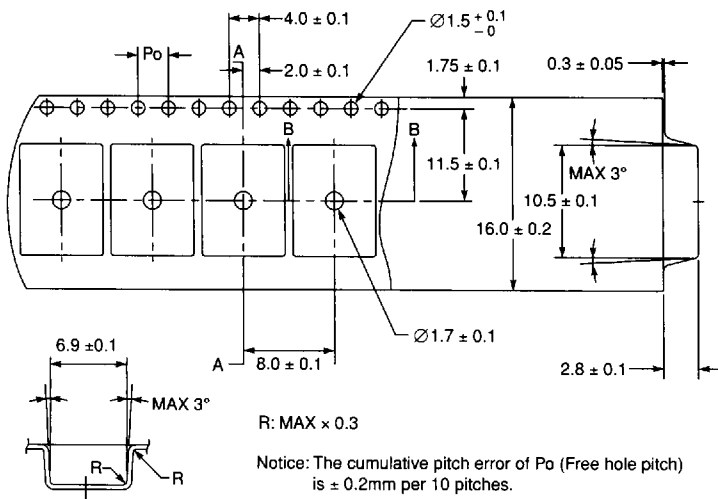
### MP-3 Taping

#### (a) Marking

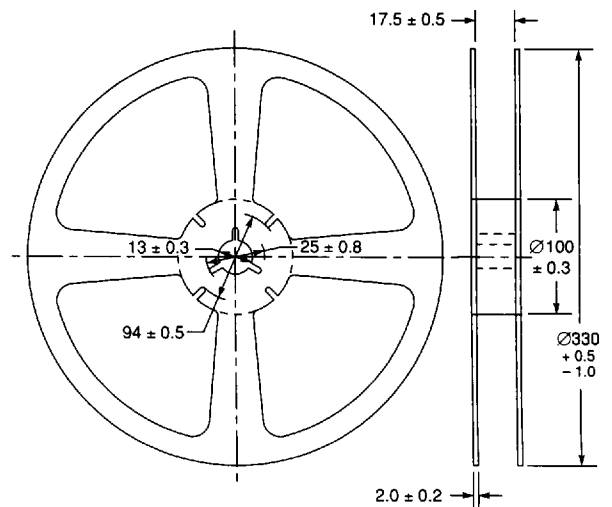


#### (b) Taping

##### • Tape Shape and Dimensions

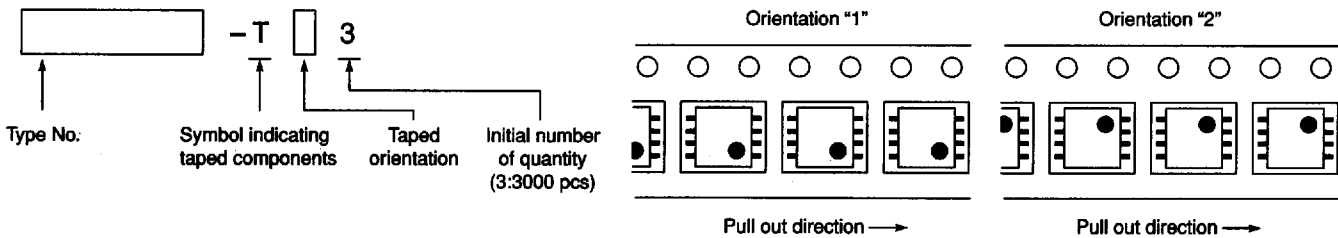


##### • Reel Shape and Dimensions



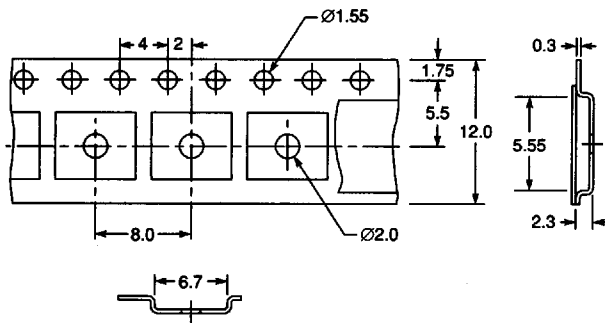
### SOP-8 Taping

#### (a) Marking

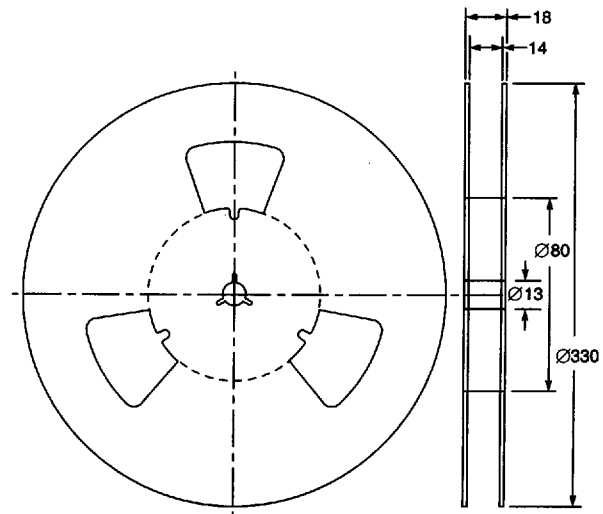


#### (b) Taping

- Tape Shape and Dimensions

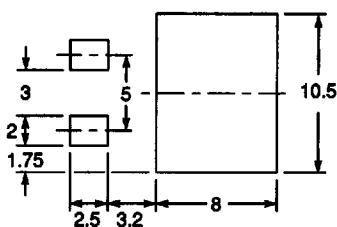


- Reel Shape and Dimensions

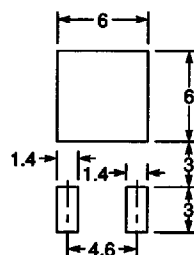


### Recommended Mounting Pad

#### TO-220S Package



#### MP-3 Package



#### SOP-8 Package

